



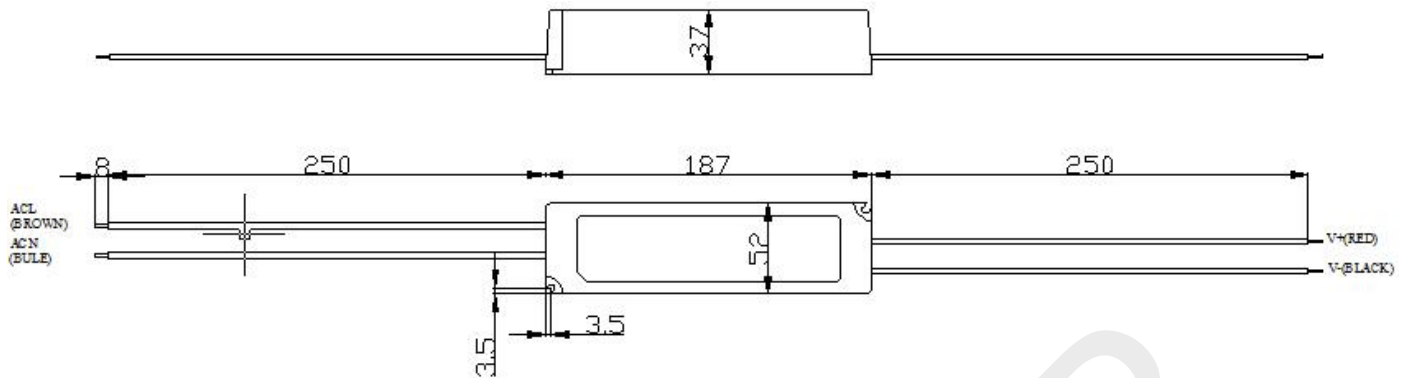
Features :

- Universal AC input/Full range
- Protections: Short circuit / Over voltage / Over temperature
- IP67 design
- Cooling by free air convection
- High efficiency
- Suitable for LED lighting
- Damp / wet location outdoor application
- 2 years warranty

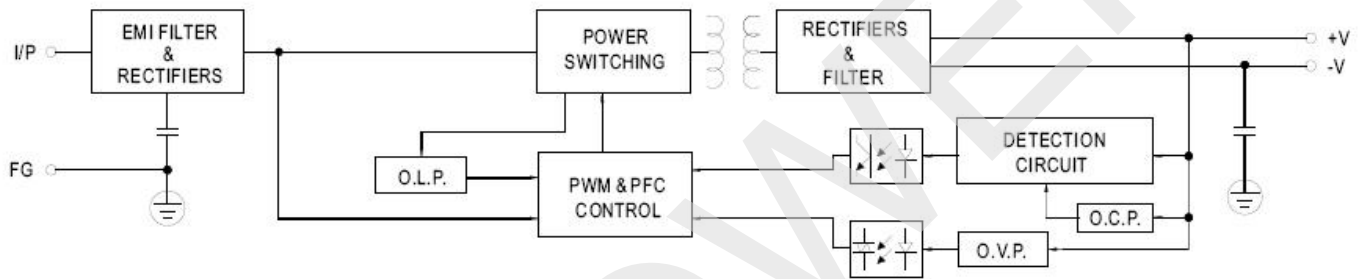
SPECIFICATION:

MODEL		LV100-12	LV100-24
OUTPUT	DC VOLTAGE	12V	24V
	RATED CURRENT	8.3A	4.2A
	RATED POWER	99.6W	100.8W
	RIPPLE & NOISE (max.)	200mVp-p	200mVp-p
	LINE REGULATION	±1.0%	
	LOAD REGULATION	±2.0%	
	SETUP,RISE TIME	1300ms, 80ms / 230VAC; 2500ms, 80ms / 115VAC at full load	
	HOLD UP TIME (Typ.)	40ms 230VAC / 115VAC at full load	
INPUT	VOLTAGE RANGE	100 ~ 240VAC	
	FREQUENCY RANGE	47~63Hz	
	EFFICIENCY(Typ.)	87%	88%
	AC CURRENT(at full load)	2A / 115VAC	1A / 230VAC 0.9A / 264VAC
	INRUSH CURRENT (max.)	COLD START 75A/230VAC	
	LEAKAGE CURRENT	<1mA / 264VAC	
PROTECTION	SHORT CIRCUIT	Hiccup mode, recovers automatically after fault condition is removed	
	OVER VOLTAGE	18~22V	28~34V
	OVER TEMPERATURE	Protection type : Shut down o/p voltage, recovers automatically after temperature goes down	
ENVIRONMENT	WORKING TEMP.	-30 ~ +40 @ full load ; 60+@ 60% load	
	WORKING HUMIDITY	20~95% RH non-condensing	
	STORAGE TEMP., HUMIDITY	-40~80°C, 10~95% RH	
	TEMP.COEFFICIENT	±0.03%/°C (0~50°C)	
	VIBRATION	10 ~ 500Hz, 5G 12min./1cycle, period for 72min. each along X, Y, Z axes	
SAFETY & EMC	SAFETY STANDARDS	Design refer to UL1310 Class 2,TUV EN62368-1, EN61347-2-13, CAN/CSA C22.2 No. 223-M91, meet IP67	
	WITHSTAND VOLTAGE	I/P-O/P:3.0KVAC	
	ISOLATION RESISTANCE	I/P-O/P:>100M Ohms / 500VDC / 25°C/70% RH	
	EMC CONDUCTION & RADIATION	Compliance to EN55032:2015+A11:2020	
DIMENSION		187*52*37mm (L*W*H)	

Mechanical Specification:



Block Diagram:



Static Characteristics:

