



Features :

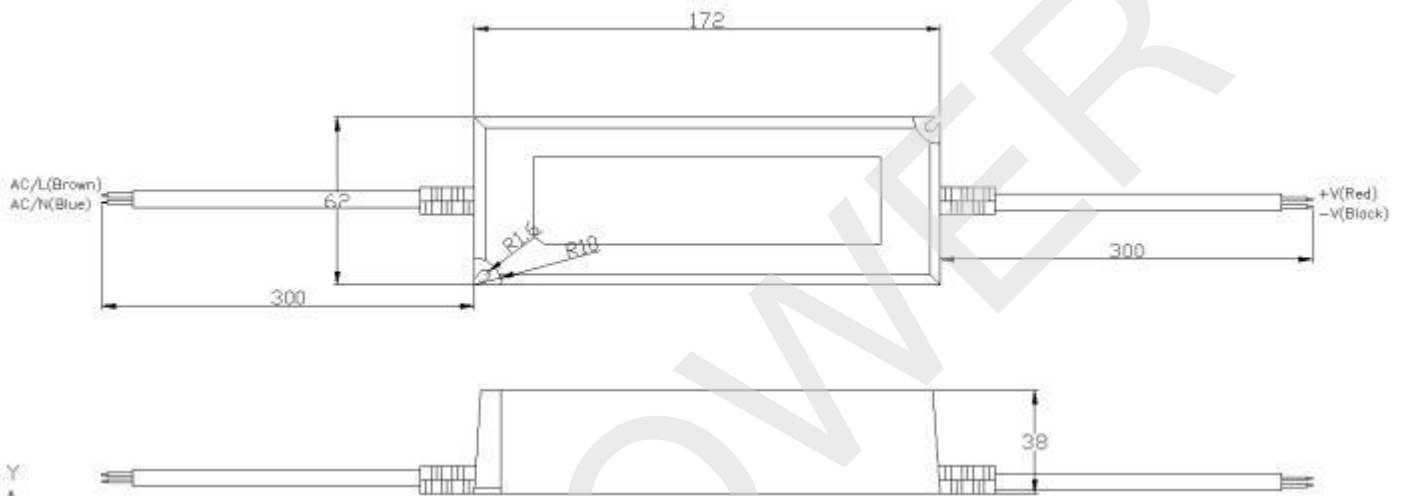
- 200-240Vac input
- Double isolated input & output cables
- Fully encapsulated with IP67 level
- Protections: Short circuit / Over voltage / Over temperature
- Built-in active PFC function
- No load power consumption <0.5W
- Class II power unit, no FG
- 100% full load burn-in test
- Suitable for LED lighting and moving sign applications
- Damp / wet location outdoor application
- 3 years warranty

SPECIFICATION:

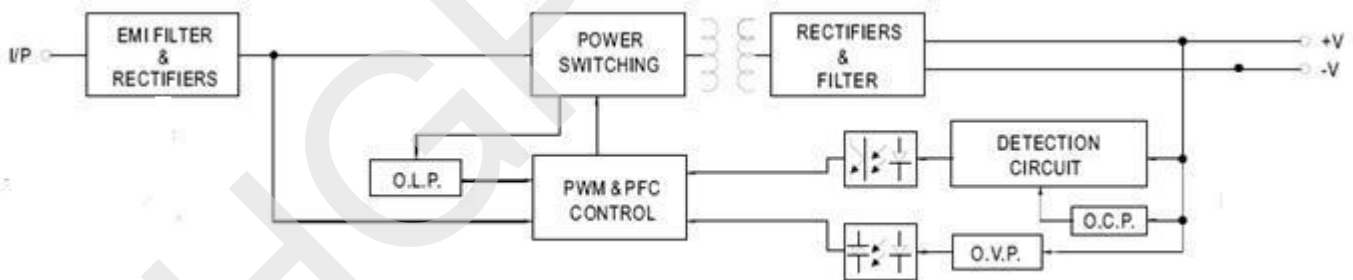
MODEL		LV150P-12H	LV150P-24H	LV150P-36H	LV150P-48H
OUTPUT	DC VOLTAGE	12V	24V	36V	48V
	RATED CURRENT	12.5A	6.25A	4.17A	3.13A
	RATED POWER	150W	150W	150.12W	150.24W
	RIPPLE & NOISE (max.)	150mVp-p	200mVp-p	200mVp-p	300mVp-p
	LINE REGULATION	±1.0%			
	LOAD REGULATION	±2.0%			
	SETUP,RISE TIME	500ms, 50ms / 240VAC			
	HOLD UP TIME (Typ.)	18ms 230VAC / at full load			
INPUT	VOLTAGE RANGE	200 ~ 240VAC			
	FREQUENCY RANGE	47~63Hz			
	EFFICIENCY(Typ.)	90%	91%	92%	92%
	AC CURRENT(at full load)	0.8A / 240VAC			
	INRUSH CURRENT (max.)	COLD START 60A/230VAC			
	LEAKAGE CURRENT	<3mA / 240VAC			
PROTECTION	SHORT CIRCUIT	Protection type : Hiccup mode, recovers automatically after fault condition is removed			
	OVER VOLTAGE	Above 18-22V	Above 28-34V	Above 45-50V	Above 58-70V
	OVER TEMPERATURE	Protection type : Shut down o/p voltage, re-power on to recover after temperature goes down			
ENVIRONMENT	WORKING TEMP.	-30 ~ +50 @ full load ; +70@ 60% load			
	WORKING HUMIDITY	20~95% RH non-condensing			
	STORAGE TEMP., HUMIDITY	-40~80℃, 10~95% RH			
	TEMP.COEFFICIENT	±0.03%/℃ (0~50℃)			
	VIBRATION	10 ~ 500Hz, 5G 12min./1cycle, period for 72min. each along X, Y, Z axes			

SAFETY & EMC	SAFETY STANDARDS	Design refer to UL1310 Class 2, TUV EN62368- 1, EN61347-2- 13, CAN/CSA C22.2 No. 223-M91, meet IP67
	WITHSTAND VOLTAGE	I/P-O/P:3.0KVAC
	ISOLATION RESISTANCE	I/P-O/P:>100M Ohms / 500VDC / 25°C/70% RH
	EMC CONDUCTION & RADIATION	Compliance to EN55015, EN61000-3-2 Class C;EN610000-3-3
DIMENSION		172*62*38mm (L*W*H)

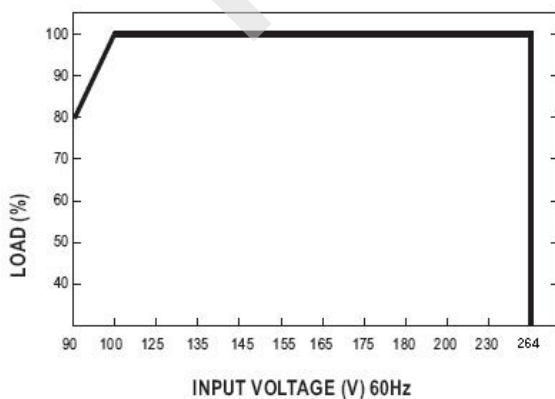
Mechanical Specification:



Block Diagram:



Static Characteristics:



Derating Curve:

