



Features :

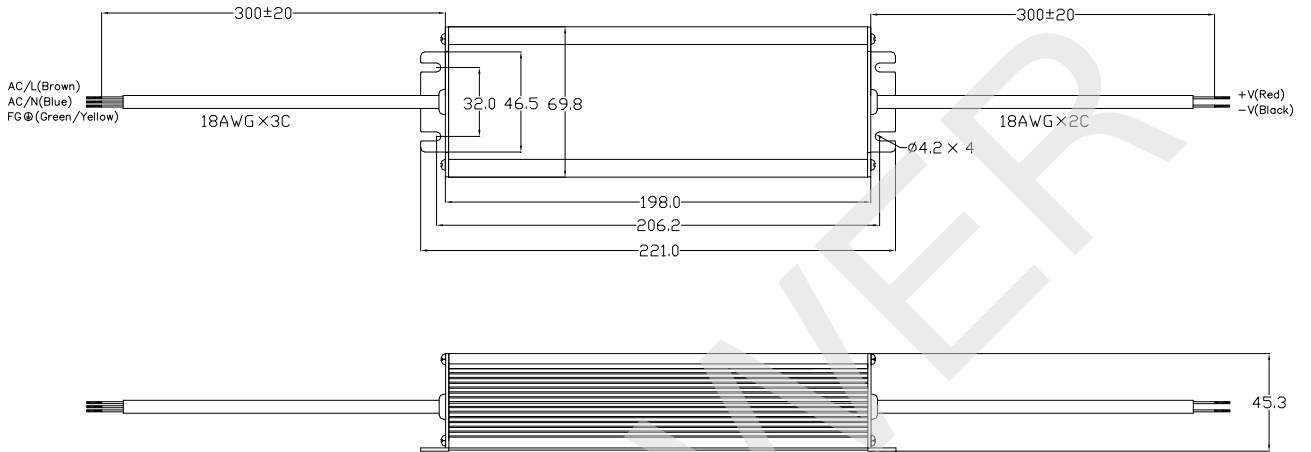
- Universal AC input/Full range
- Protections: Short circuit / Over voltage / Over temperature
- Built_in active PFC function
- Fully encapsulated with IP67 level
- Class 2 power unit, pass LPS
- Cooling by free air convection
- 100% full load burn-in test
- High reliability
- Suitable for LED lighting and moving sign applications
- Compliance to worldwide safety regulations for lighting
- Damp / wet location outdoor application
- 3 years warranty

SPECIFICATION:

MODEL		LGV100P-12	LGV100P-15	LGV100P-24	LGV00P-36	LGV100P-48
OUTPUT	DC VOLTAGE	12V	15V	24V	36V	48V
	CONSTANT CURRENT REGION	9~12V	12~15V	18~24V	24~36V	36~48V
	RATED CURRENT	8A	6.6A	4.2A	2.8A	2.1A
	RATED POWER	96W	99W	100.8W	100.8W	100.8W
	RIPPLE & NOISE (max.)	100mVpp	100mVpp	150mVpp	200mVpp	200mVpp
	VOLTAGE TOLERANCE	±3.0%				
	LINE REGULATION	±1.0%				
	LOAD REGULATION	±2.0%				
	SETUP,RISE TIME	1200ms, 80ms / 230VAC 1200ms, 80ms / 115VAC at full load				
	HOLD UP TIME (Typ.)	60ms / 230VAC 30ms / 115VAC at full load				
INPUT	VOLTAGE RANGE	100 ~ 240VAC				
	FREQUENCY RANGE	47~63Hz				
	POWER FACTOR	PF>0.95/115VAC / 230VAC at full load PF≥0.9 at 75 ~ 100% load, 115VAC / 230VAC				
	EFFICIENCY(Typ.)	83%	85%	87%	87%	88%
	AC CURRENT(at full load)	1.6A / 115VAC 0.8A / 230VAC				
	INRUSH CURRENT (max.)	60A/230VAC				
	LEAKAGE CURRENT	0.75mA/240VAC				
PROTECTION	SHORT CIRCUIT	Hiccup mode, recovers automatically after fault condition is removed				
	OVER VOLTAGE	Above 13 ~ 18V	Above 15 ~ 22V	Above 27 ~ 34V	Above 38 ~ 50V	Above 50 ~ 64V
	OVER TEMPERATURE	Protection type : Shut down o/p voltage, recovers automatically after temperature goes down				
ENVIRONMENT	WORKING TEMP.	-40 ~ +50 °C				
	WORKING HUMIDITY	20~90% RH non-condensing				
	STORAGE TEMP., HUMIDITY	-40~80°C, 10~95% RH				
	TEMP.COEFFICIENT	±0.03%/°C (0~50°C)				
	VIBRATION	10 ~ 500Hz, 5G 12min./cycle, period for 72min. each along X, Y, Z axes				
SAFETY & EMC	SAFETY STANDARDS	Design refer to UL1310 Class 2,TUV EN62368-1, EN61347-2-13, CAN/CSA C22.2 No. 223-M91, meet IP67				
	WITHSTAND VOLTAGE	I/P-O/P:3.KVAC I/P-FG:1.5KVAC O/P-FG:0.5KVAC				
	ISOLATION RESISTANCE	I/P-O/P:>100M Ohms / 500VDC / 25~70% RH				
	EMI CONDUCTION & RADIATION	Compliance to EN55015:2013+A1: 2015				
	HARMONIC CURRENT	Compliance to EN61000-3-2 Class C ; EN61000-3-3				

DIMENSION	221*69.8*45.3mm (L*W*H)
-----------	-------------------------

Mechanical Specification



Block Diagram :

