



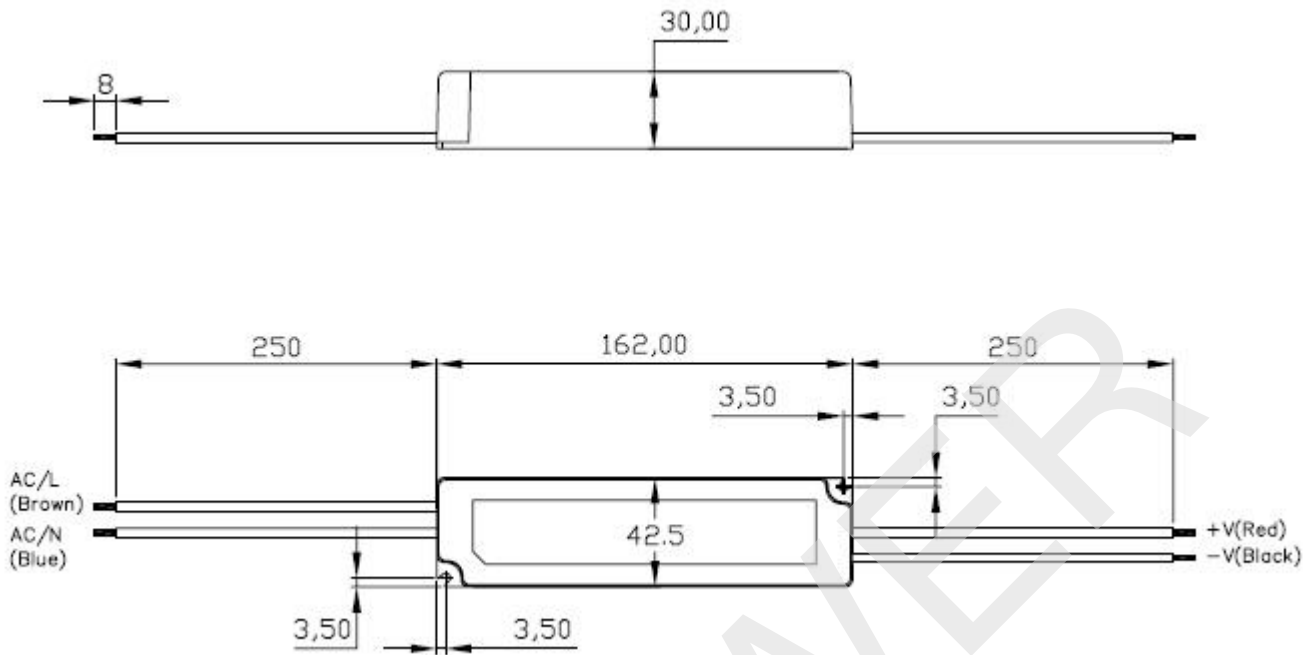
Features :

- Constant current mode power supply
- Universal AC input/Full range
- Fully encapsulated with IP67 level
- Protections: Short circuit/Over current
- Built-in active PFC function
- Small and compact size
- Class 2 power unit, pass LPS
- 100% full load burn-in test
- Suitable for LED lighting and moving sign applications
- 2 years warranty

SPECIFICATION:

| MODEL | | LA60P-1050 | LA60P-1400 | LA60P-1750 |
|--------------|----------------------------|---|---------------|---------------|
| OUTPUT | DC VOLTAGE | 60V | 42V | 36V |
| | DC VOLTAGE RANGE | 30-60V | 21-42V | 18-36V |
| | CURRENT RANGE | 1050mA ± 3% | 1400mA ± 3% | 1750mA ± 3% |
| | RATED POWER | 63W | 58.8W | 63W |
| | RIPPLE & NOISE (max.) | 200mVp-p | 150mVp-p | 150mVp-p |
| | VOLTAGE TOLERANCE | ± 2.0% | | |
| | LINE REGULATION | ± 1.0% | | |
| | LOAD REGULATION | ± 2.0% | | |
| | SETUP,RISE TIME | 1500ms,250ms/230VAC 3000ms,250ms/115vac at full load | | |
| INPUT | VOLTAGE RANGE | 100-240VAC | | |
| | FREQUENCY RANGE | 47~63Hz | | |
| | EFFICIENCY (Typ.) | 85% full load | 85% full load | 85% full load |
| | POWER FACTOR | PF>0.9/230VAC PF>0.95/115VAC at full load | | |
| | AC CURRENT | 1.2A/100AC 0.6A/240AC | | |
| | INRUSH CURRENT (max.) | COLD STAT 70A/230VAC | | |
| | LEAKAGE CURRENT | 0.5mA/240VAC | | |
| PROTECTION | OVER CURRENT | Above 105%-110% of rated output current. | | |
| | SHORT CIRCUIT | Hiccup mode, recovers automatically after fault condition is removed | | |
| ENVIRONMENT | WORKING TEMP. | -10~50°C | | |
| | WORKING HUMIDITY | 20~90% RH non-condensing | | |
| | STORAGE TEMP., HUMIDITY | -40~80°C, 10~95% RH | | |
| | TEMP.COEFFICIENT | ± 0.03%/°C (0~50°C) | | |
| | VIBRATION | 10 ~ 500Hz, 2G 10min./1cycle, period for 60min. each along X,Y, Z axes | | |
| SAFETY & EMC | SAFETY STANDARDS | Design refer to UL1310 Class 2,TUV EN61347-2-13, CAN/CSA C22.2 No. 223-M91, meet IP67 | | |
| | WITHSTAND VOLTAGE | I/P-O/P:3KVAC | | |
| | ISOLATION RESISTANCE | I/P-O/P:>100M Ohms / 500VDC / 25~70% RH | | |
| | EMI CONDUCTION & RADIATION | Compliance to EN55015:2013+A1: 2015 | | |
| | HARMONIC CURRENT | Compliance to EN61000-3-2,-3 | | |
| DIMENSION | | 162*42.5*30mm (L*W*H) | | |

Mechanical Specification



Block Diagram

